

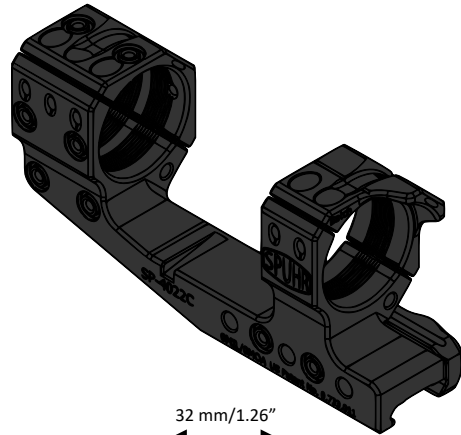


SP-4022C

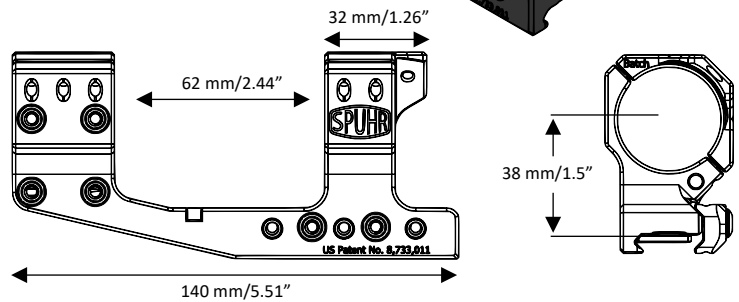
Cantilever Mount $\varnothing 34$ H38mm/1.5" 0MIL PIC Gen3

Absolute Co-witness Cantilever Mount

Rings: 34 mm
Tilt: 0 MIL/MOA
Height: 38 mm/1.5"
Length: 140 mm/5.51"
Weight: 242 g/8.5 oz
Interfaces: 7 sets
EAN: 7340150702014



The **IDEAL SCOPE MOUNT SYSTEM** series of mounts feature **seven set of interfaces to attach any of more than 40 different accessories**. The rings are diagonally cut for increased visibility of the elevation and windage turrets (US Patent 8,733,011).



The mounts are machined from billet 7000-series aluminum and all aluminum parts are hardcoat anodized. The Torx 20 ring and clamping screws are zinc-nickel coated for corrosion resistance and come pre-waxed from the factory to ensure proper torque values.

The mount is shipped complete with a manual and a "wedge" leveling key.

NOTE:

The SP-4022C is based on the 3-gun competition mount designed for the **The Noveske Shooting Team**, but with absolute co-witness with iron sights and a shorter rear ring.

The SP-4022C will fit most 34 mm scope tubes including many scopes with extended erector housings, such as the US Optics TPAL/EREK. Due to the extreme cantilever, the SP-4022C does not feature a bubble level as the rest of the ISMS series do.

CONTACT

Spuhr i Dalby AB

Phone: +46 46 712 012

Web: www.spuhr.com

Address: Terminalvägen 19
SE-246 42 Löddeköpinge
Sweden